

# 03515SS

## DC Axial Fan Sleeve Bearing

# 35<sup>□</sup>X15<sup>L</sup>

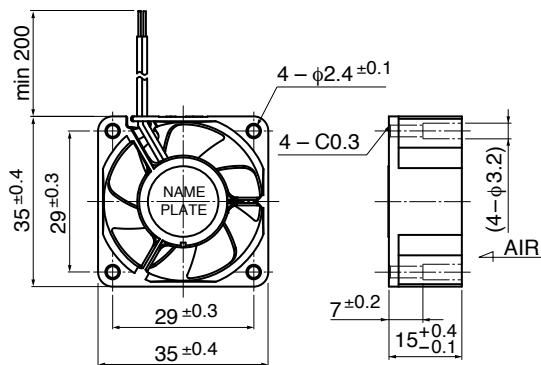


### General Specifications

Motor Protection Auto Restart / Polarity Protection  
 Insulation Resistance 10M $\Omega$  or over with a DC500V Megger  
 Dielectric Withstand Voltage: AC700V 1s

Allowable Ambient Temperature Range  $-10^{\circ}\text{C} \sim +70^{\circ}\text{C}$  (Operating)  
 $-40^{\circ}\text{C} \sim +70^{\circ}\text{C}$  (Storage)  
 non-condensing environment

### Outline

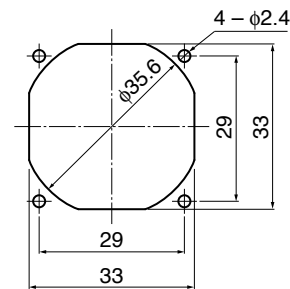


### Expected Life ※ Failure Rate: 10% (L10 Life)

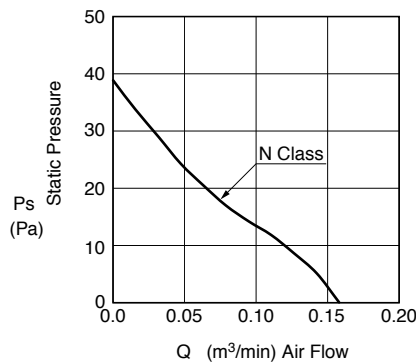
40 $^{\circ}\text{C}$  30,000 (Hours)

### Panel Out-cuts

Outlet Side



### Characteristic Curves



### Material

Casing : Plastic (Black) UL94V-0  
 Impeller : Plastic (Black) UL94V-0  
 Bearing : Sleeve Bearing  
 Lead Wire : UL1061 AWG26 + : Red, - : Black

### Specifications

Model	Product No.	Rating Voltage	Operating Voltage	Current	Input Power	Speed	Max. Air Flow		Max. Static Pressure	Noise	Mass	
		(V)	(V)	(A)*1	(W)*1	(min <sup>-1</sup> )*1	(m³/min)*1	(CFM)*1	(Pa)*1	(In H <sub>2</sub> O)*1	(dB)*1	(g)
03515SS-05N-AA-	00	5	4.5 ~ 5.5	0.19	0.95	8000	0.16	5.7	35.0	0.14	24.0	12.5
03515SS-12N-AA-	00	12	6.0 ~ 13.2	0.07	0.84	8000	0.16	5.7	35.0	0.14	24.0	12.5

Rotation: Clockwise as seen from the label side  
 Airflow Outlet: Label side

\*1: Average Values in Free Air